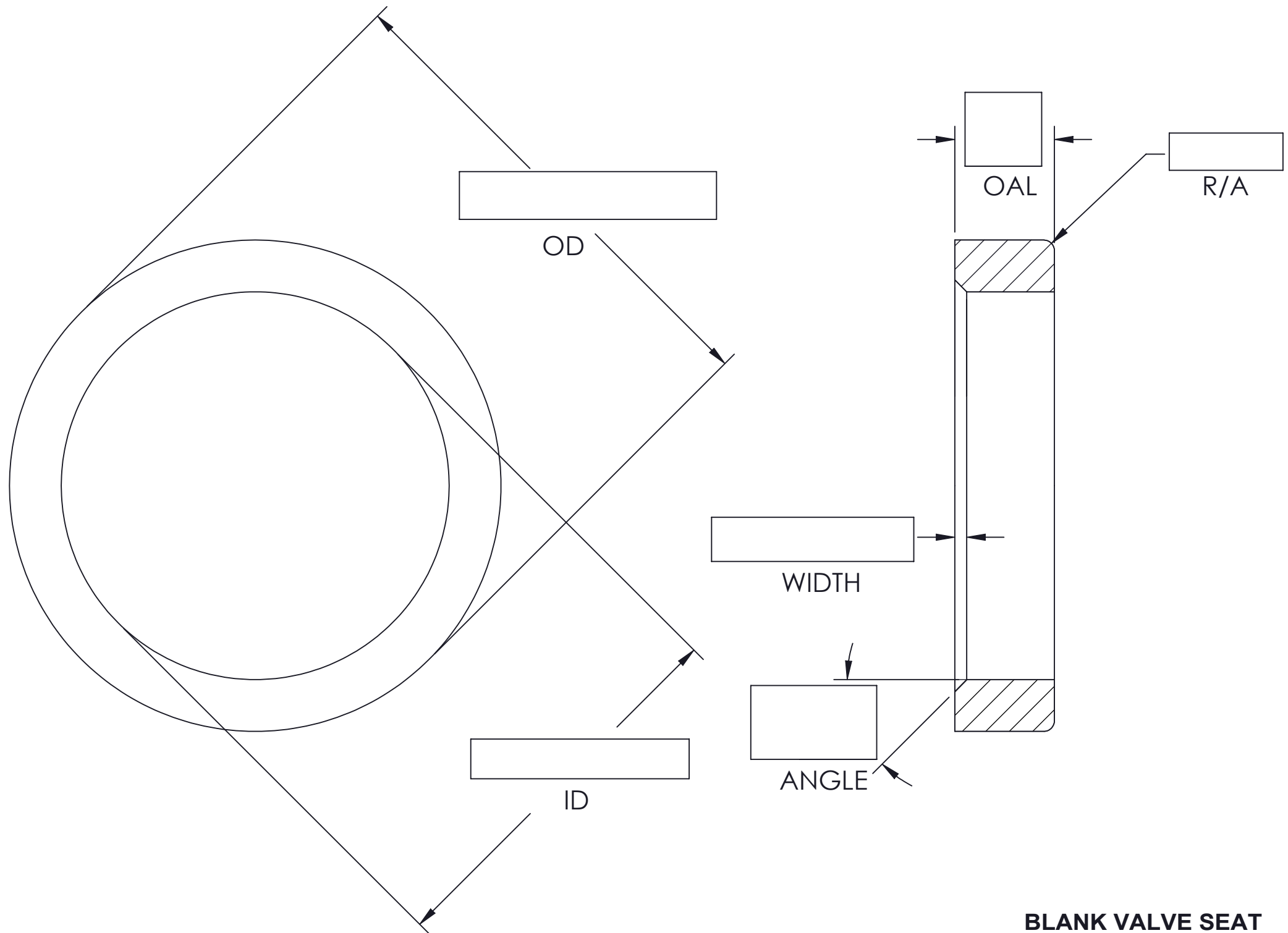


QTY

NOTES:



BLANK VALVE SEAT

DATE: _____ CUSTOMER: _____ PHONE: _____
ADDRESS: _____ FAX: _____
EMAIL: _____

125 TRADD STREET
SPARTANBURG, SC 29301
PHONE: 517-694-7449
SALES@TRICKTITANIUM.COM

