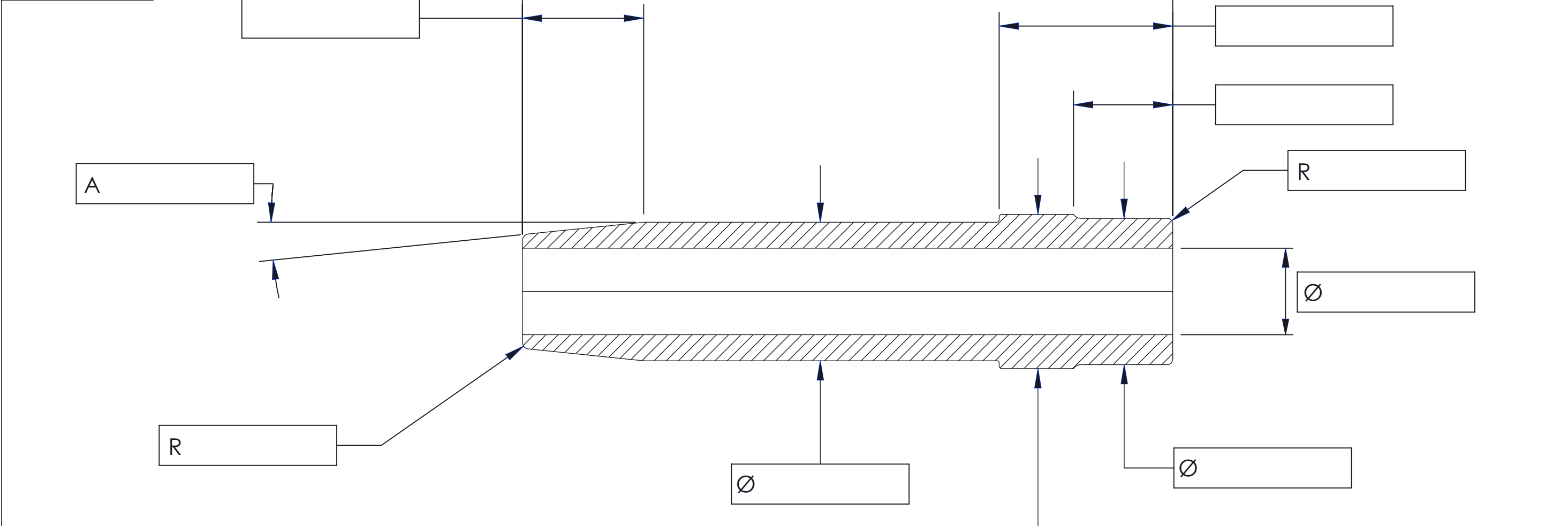


QTY _____



NOTES:

VALVE GUIDE BLANK

DATE: _____ CUSTOMER: _____ PHONE: _____
ADDRESS: _____ FAX: _____
EMAIL: _____

3982 HOLT RD
HOLT, MICHIGAN 48842
PHONE: 517-694-7449
FAX: 517-694-7590

